

emonHP – DHW Status Upgrade

Upgrade kit to add DHW status monitoring to existing emonHP system

DHW status sensor allows separate space heating and DHW COP/SCOP to be calculated in addition to the combined COP/SCOP.

Kit of parts

- EmonTx V5 Datalogger
- 20A white CT sensor
- USB-C to USB-A cable

The DHW status sensor detects the current used by the diverter valve. It works on all AC fed diverter valves, e.g sprung return Honeywell ball valve and ESBE.

Note: The DHW status sensor does not work on Viessmann Vitocal's which have an internal DC driven diverter valve



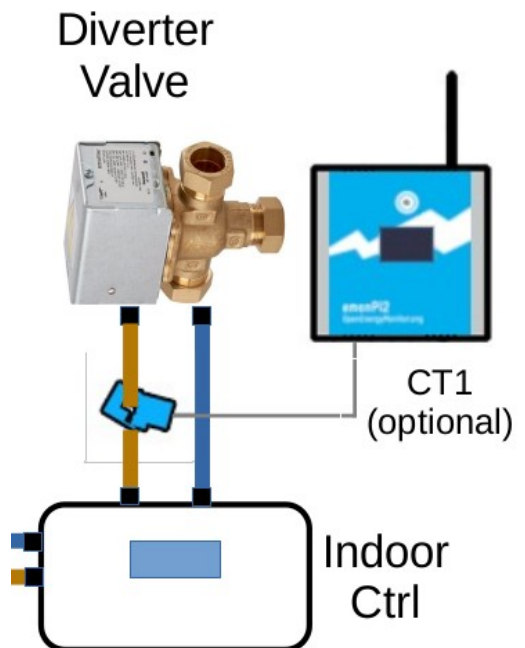
Installation Video

Installation

- Plug the clip on CT sensor jack plug into **CT1 connection on the emonTx V5**
- Clip the CT current sensor around the **Live wire which controls the diverter valve**. If there are multiple live wires e.g Switched Live & Permanent Live, clip the CT around **both live** cables.
- It's usually convenient to locate the CT sensor inside the heat pump controller
- Orientation of the CT sensor is irrelevant
- Plug the USB-C cable into the emonTx V5 and the USB-A cable into **any USB port on the emonHP**

Note: DHW sensing can only be used on AC powered diverter valves, it cannot be used to detect the position of DC diverter valves e.g Viessmann 150A/151A

Important: The CT sensor must be clipped around only the live conductor(s). DO NOT clip the CT sensor around the flex cable which contains both Live and Neutral conductors.



Activation

Once installed please contact us to activate DHW sensing on your system.

Contact

Phone / WhatsApp: **01286 800870**

Email: support@openenergymonitor.zendesk.com | Forum: community.openenergymonitor.org